

Knockdown Door Frames

installation guide

JDS 3 piece knockdown metal door frames are designed to be used for either timber or metal stud applications.

Simply construct your wall trusses leaving the correct opening sizes. Clad your wall truss and then fix the 3 piece knockdown frame around the opening.

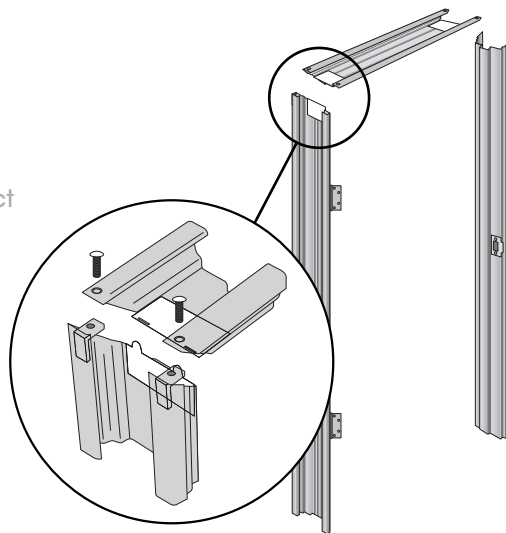
Prior to fitting frames please ensure that the stud opening sizes are suitable for knockdown frames.

Formula for stud opening sizes:
Add 40mm to your door HEIGHT and WIDTH
(single and double door frames only)

Examples:

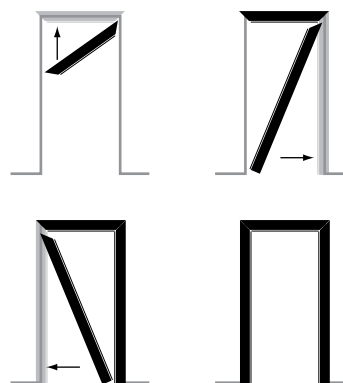
Door sizes	Stud opening
2040 x 820mm	2080 x 860mm
2040 x 1040mm	2080 x 1080mm
2340 x 720mm	2380 x 760mm
2340 x 1040mm	2380 x 1080mm

Add a further 40mm to your door width for each mullion when using triple, quad or five door combinations.



Note: You must have a minimum 30mm nib on each side of your stud opening to allow for the knockdown frame to be screwed to the stud work

1. Position the head of the frame into stud position.
2. Place stiles of frame diagonally under the door head.
3. Align the "locating tabs" with slots in the head.
4. Move the stiles into vertical position while locating the knockdown lugs into corresponding slots.
5. Pull the head down firmly onto stile and check that mitred corners are neat. You may need to squeeze the ends of the mitre for it to fall into place neatly.
6. Using predrilled pilot holes located at the top of the head, screw the head of the frame to the stile using the screws provided.
7. Check frame to see if it is square and is the correct height and width.
8. Screw the frame to the stud work through the counter-sunk holes using 8 gauge screws (not provided).
9. Fill screw holes with quality metal body filler and sand back for painting.



This illustrated installation process is a guide only. JDS Metal Doorframes is not responsible for incorrect installations.

