

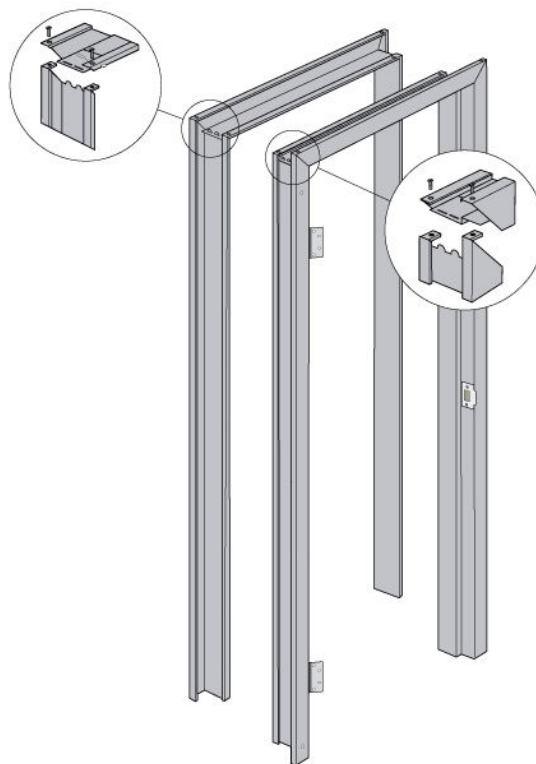
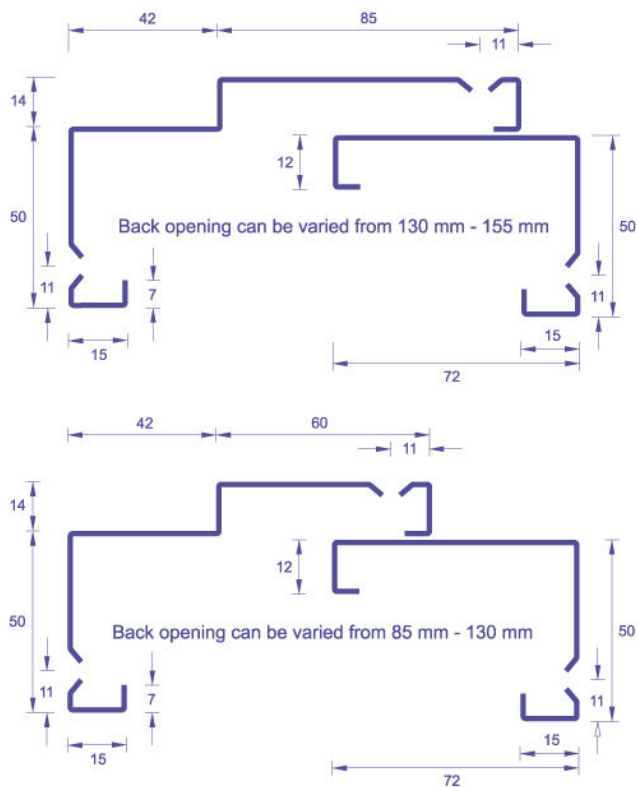
JDS SPLIT DOOR FRAMES

JDS Metal Doorframes have designed a new split doorframe that is able to be fitted to metal stud, timber stud and also brick / block or concrete.

Because we use a 50mm architrave, the counter suck hole is further along the brick / block / concrete and allows for easier drilling and fitting.

JDS Split Doorframes are manufactured from 1.2 mm Zinc Alloy Steel.

JDS Split Doorframes are the first of its kind to be rollformed, thus reducing the lead time to only **1 - 2 days**, with special orders only requiring **2-4 days**.



What stud opening size do I leave?

Formula for stud opening sizes:

Add 40 mm to your door HEIGHT

Add 35 mm to your door WIDTH

Examples:

Door Size	Stud Opening
2040 x 820 mm	2080 x 855 mm
2040 x 720 mm	2080 x 755 mm
2040 x 620 mm	2080 x 655 mm

For information on prices and how to install these frames, please don't hesitate to contact one of our friendly Customer Service Representatives.

We offer the shortest lead time for split doorframes in the industry, **GUARANTEED!!**