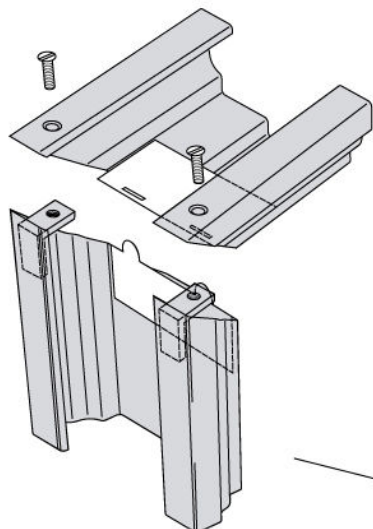


# RegalFrame<sup>®</sup> Knockdown Doorframes



The **RegalFrame<sup>®</sup>** 3 piece knockdown frame is designed to be used for either timber or metal stud applications.

Simply construct your wall trusses leaving the correct opening sizes for the RegalFrame.

Clad your wall truss and then fix the 3 piece knockdown frame around the opening.

**Prior to fitting the frames please ensure that the stud opening sizes are suitable for knockdown frames**

**Opening should be  
35mm wider than the door size and  
40mm higher than the door height**

## What stud opening size do I leave?

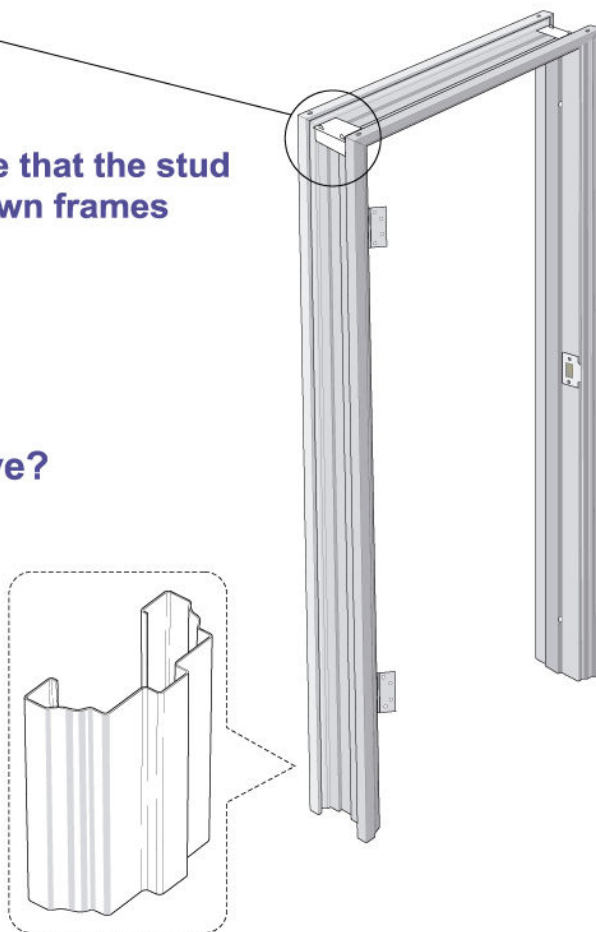
Formula for stud opening sizes:

Add 40 mm to your door HEIGHT

Add 35 mm to your door WIDTH

Examples:

Door Size	Stud Opening
2040 x 820 mm	2080 x 855 mm
2040 x 1040 mm	2080 x 1075 mm
2040 x 3/620 mm	2080 x 1944 mm
2300 x 720 mm	2340 x 755 mm
2300 x 1040 mm	2340 * 1075 mm



For information on prices and how to install these frames, please don't hesitate to contact one of our friendly Customer Service Representatives.